

# SPECLUME 7" PENDANT SERIES HAND BLOWN GLASS

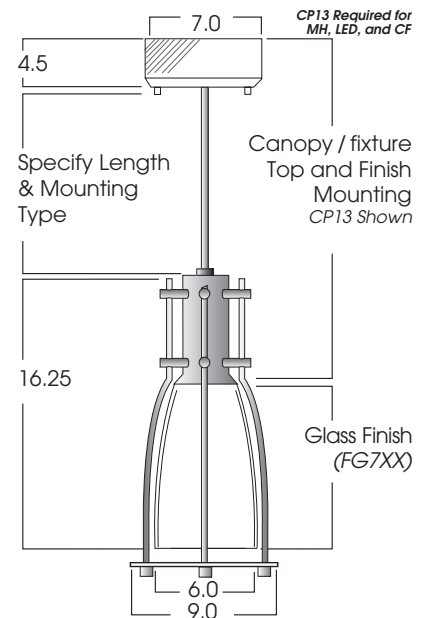
CF / INC / MH / LED

# SL SERIES



## PRODUCT INFORMATION:

- GPX Series features three decorative chrome arms and a suspended glass tier.
- Fixture specification options offer a creative mix of glass and mounting finishes.
- Choose from compact fluorescent, incandescent, metal halide, or LED lamping options.
- See mounting options section for maximum CF/MH lengths.
- Suitable for use in damp location
- Consult the factory for dimming and EM options
- Manufactured and tested to UL standard No. 1598.



MODEL	LAMPS	WATTS	BALLAST	TIER	OPTIONS	MOUNTING	MOUNT. FINISH	GLASS
<b>GPX7FG-</b> SpecLume Pendant Series, 7"x10" Hand Blown Frosted Glass	<b>CF **</b>	<b>18, 26, 32, 42*</b>	<b>E1</b> -Electronic, 120v	<b>1CFG</b> -9" Center Frosted Glass Tier	<b>CD*</b> -Cord and Cable Mount	<b>PT</b> -Platinum Silver (Gray Cord / Stem)	<b>FG7WH</b> -White Frosted Glass <b>FG7AO</b> -Amber / Orange Frosted Glass <b>FG7SB</b> -Sapphire Blue Frosted Glass <b>FG7FR</b> -Fire Red Frosted Glass <b>FG7**</b> -Clear Glass Available on Special Request	
	<b>INC</b>	<b>100w</b>	<b>E2</b> -Electronic, 277v	<b>1FGR</b> -9" Frosted Glass Ring	<b>CDCC*</b> -Coil Cord and Cable Mount	<b>MB</b> -Matte Black (Black Cord / Stem)		
	<b>MH **</b>	<b>20, 39 (PAR 20)</b>			<b>HM*</b> -Hang Straight Pendant	<b>MW</b> -Matte White (White Cord / Stem)		
	<b>LED **</b>	<b>9w3K</b>			<b>HMAT*</b> -Adjustable Length Hang Straight Pendant	<b>BA</b> -Brushed Aluminum (Gray Cord / Stem)		
					<b>PM*</b> -Pendant/Straight Mount	<b>CC</b> - Custom Color (see color chart)		
					<b>CP13</b> -Ballast Housing			
	**Requires CP13	*Runs 26, 32,42w Lamp				* Specify Length in inches **12" or 36" lengths only See SpecLume Mounting Page		7x10 Pendant Reflector
<b>GPX7FG</b>	<b>CF</b>	<b>26</b>	<b>E1</b>	<b>1CFG</b>	<b>CD36 / CP13</b>	<b>BA</b>	<b>FG7WH</b>	

Dimensions shown are nominal. Spectrum Lighting is continually improving products and reserves the right to make changes that will not alter performance or appearance with or without written notice.



<b>PROJECT:</b>	<b>TYPE:</b>
<b>CAT. NO.:</b>	

